



## SSC030, 040 & 045 CUBE ICE MAKERS



### SSC030, 040, 045

- 13g cube ice ideal for use by restaurants, hotels, licensed bars, juice bars, take away outlets and health care facilities
- 18/8 grade stainless steel cabinets with integrated food grade polyethylene storage bin



# SSC030, 040 & 045 CUBE ICE MAKERS

## Specifications

### Power

Voltage – 240-50Hz  
Amps – SSC030 1.7 – SSC040 2.1  
– SSC045 2.3

### Refrigerant

R404a

### Shipping Weight

SSC030 55x63x81 (56kg)  
SSC040 55x63x81 (60kg)  
SSC045 55x63x92 (64kg)

### Water Supply Requirements

3/4" BSP male stop cock 

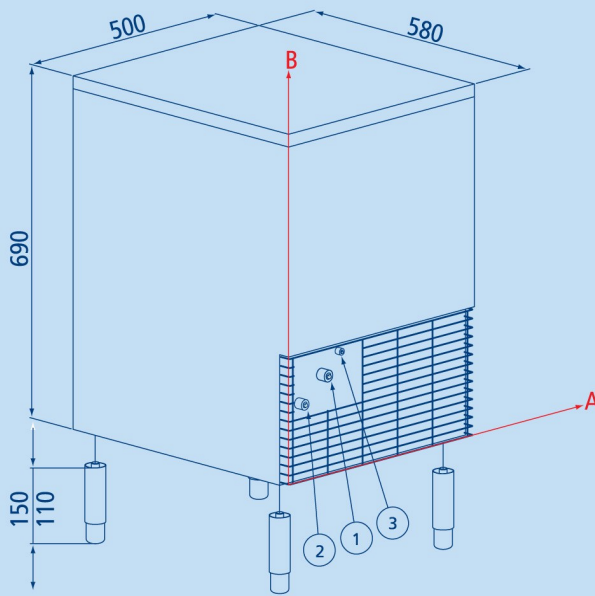
### Drainage

Floor waste within 1 metre of machine  
Note! Must be below machine outlet

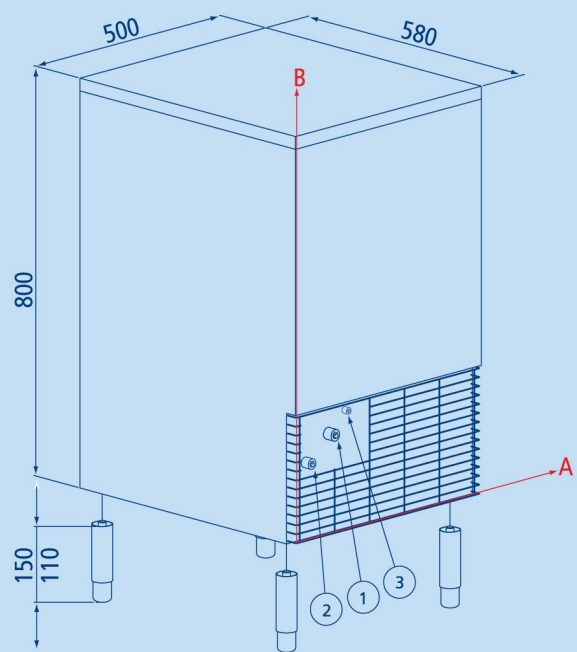
## Ice Making Capacity (kg/24hours)

|        | Production | Storage |
|--------|------------|---------|
| SSC030 | 33         | 16      |
| SSC040 | 42         | 16      |
| SSC045 | 46         | 25      |

|        | Water In (1) |     | Drainage (2) |     | Power In (3) |     |
|--------|--------------|-----|--------------|-----|--------------|-----|
|        | A            | B   | A            | B   | A            | B   |
| SSC030 | 111          | 193 | 49           | 151 | 156          | 232 |
| SSC040 | 111          | 196 | 49           | 151 | 156          | 232 |
| SSC045 | 111          | 196 | 49           | 151 | 156          | 232 |



SSC030 & SSC040



SSC045

Continuing product improvement may necessitate changes of specifications without notice.

### Distributed By

For more information or the name  
of your local sales agent call:

### Stuart Manufacturing

1 Jayelem Crescent Padstow NSW 2211

Sales 1300 301 380 • General Enquiries 02 9773 3711

Facsimile 02 9773 4400 • Email [ice@stuman.com.au](mailto:ice@stuman.com.au)

Website [www.stuman.com.au](http://www.stuman.com.au)